

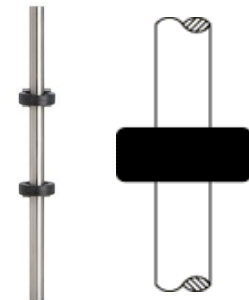
Customize your door guards to meet your own particular requirements. Can be finished in chrome, stainless steel or powder coated. Available in 1 ½", 2" or 2 ½" tube sizes. Styles include the basic arch design or extend to the door frame with a mullion adapter to allow mounting and wiring of remote handicap release button. Mounting options include flange and cover, or core into floor and cement in place. Door guards can be removable allowing for ease of cleaning and loading/unloading. Infill panels with silk screening also available.



Protective Post Bollards:

Minimize door guard, post or railing damage with 5" diameter by 1 ¾" hard rubber protective wheel style bollards. Mounts to post at customer specified height. Bollards are compatible with door guards, posts or rails composed of 2" tubing. Specify number of bollards desired on post.

TG200P2W



Dimensions to be determined on a by customer basis.

Tube Diameter	Style	Mounting	Material Finish	Part No.
1 1/2"	Mullion Adapter	Cored Inst	Stainless Steel	TG150EC
1 1/2"	Arch Design	Cored Inst	Stainless Steel	TG150AC
1 1/2"	Mullion Adapter	Flanged	Stainless Steel	TG150EF
1 1/2"	Arch Design	Flanged	Stainless Steel	TG150AF
2"	Arch Design	Cored Inst	Stainless Steel	TG200AC
2"	Arch Design	Flanged	Stainless Steel	TG200AF

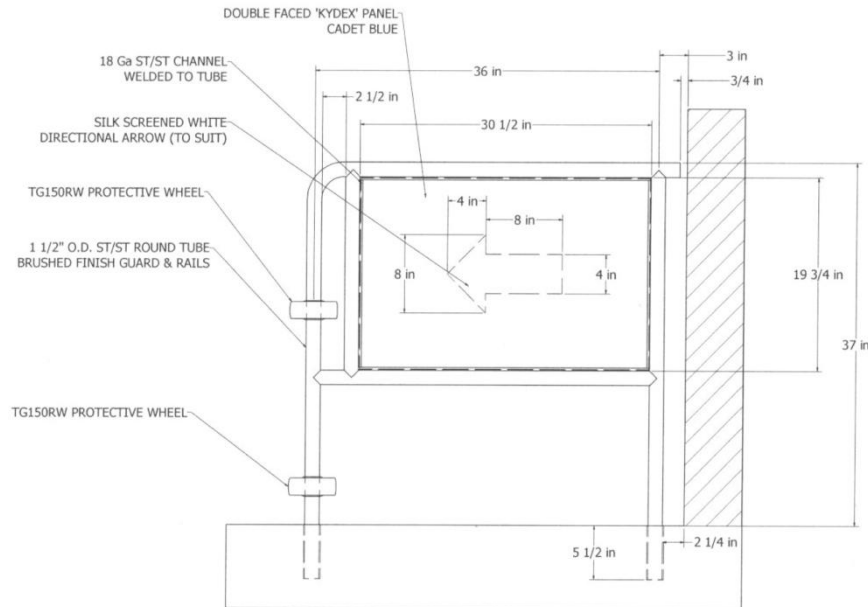
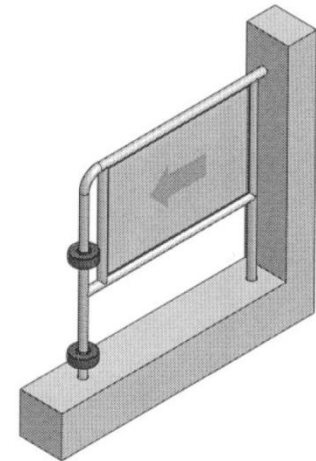
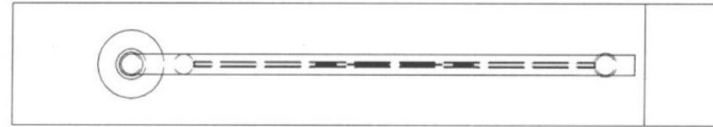


Dimensions to be determined on a by customer basis.

5670 Timberlea Blvd
 Mississauga, ON
 Canada L4W 4M6

Tel: 1 877 427-2726
 Fax: 1 866 792-2724

www.brascon.com



5670 Timberlea Blvd
Mississauga, ON
Canada L4W 4M6

Tel: 1 877 427-2726
Fax: 1 866 792-2724

www.brascon.com