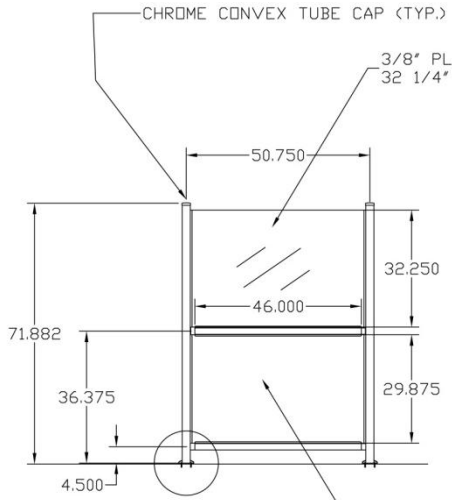
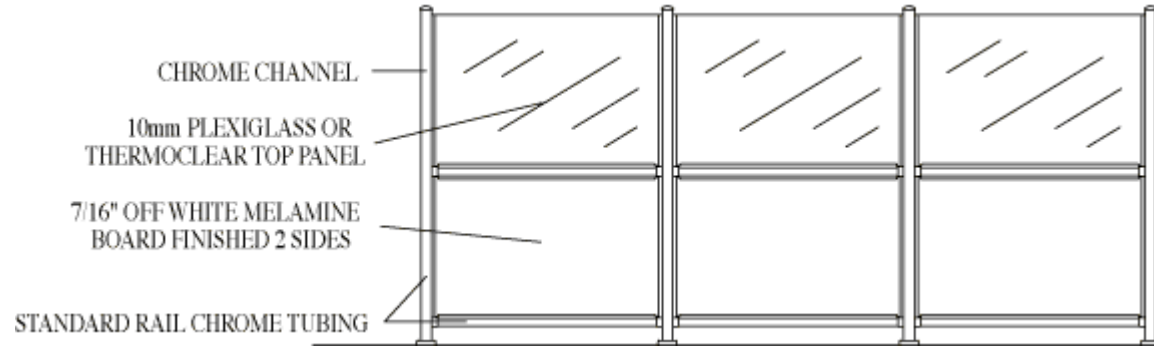


The main posts, horizontal rails, top cap and mounting flanges are all adaptations of the popular double line railing system and can easily connect to and continue the theme of the basic railing system. Bottom panels are scuff resistant 7/16" melamine. The top panels are 3/8" and can be clear Plexiglas, Lexan or semi transparent thermo-clear plastic panels. You can add custom graphics if required.

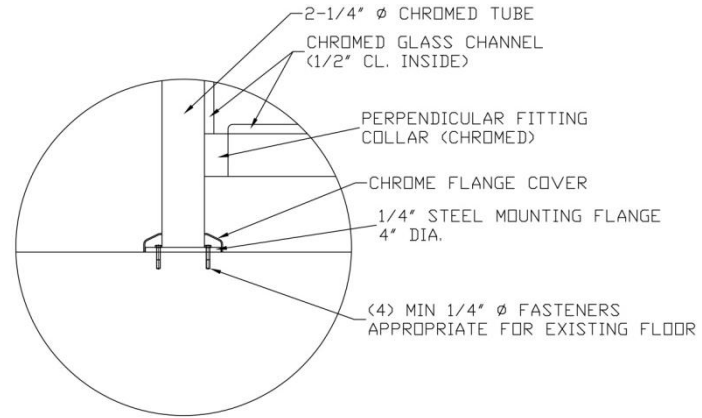
Product Description	Part No.
Partition Corner Post	TP9C
Partition End Post	TP9E
Partition Middle Post	TP9M
Partition Bottom Horiz. Rail	TR9-B4
Partition Top Horiz. Rail	TR9-T4
7/16" Melamine Lower Panel	TR9M
3/8" Plexiglas Upper Panel	TR9PG
3/8" Thermo Clear Upper Panel	TR9TC



Partition is often substituted instead of a rail in the Entech Entrance Control & Security Device



NOTE : HORIZONTAL RAILS ARE CUT TO A LENGTH OF 48\"/>



NOTE : BOTH OF THE FITTING HEIGHT DIMENSIONS ARE REFERENCED FROM THE TOP OF THE 1/4\"/>

5670 Timberlea Blvd
Mississauga, ON
Canada L4W 4M6

Tel: 1 877 427-2726
Fax: 1 866 792-2724