

Buggy Corrals:

- Double rail systems and buggy bumpers provide safe storage for shopping carts. Buggy bumper rails fabricated with chrome 2" x 2" 16 gauge square tubing, black plastic eng plugs and your choice of two styles of buggy bracket. Floor mounting 3/8" x 3" wedge anchors sold separately.

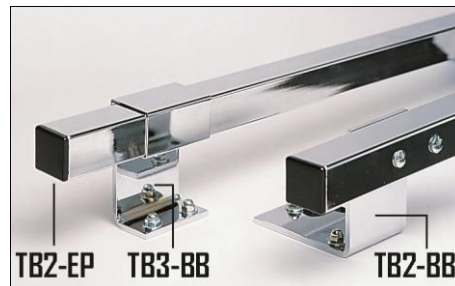
[Buggy Corrals](#)

[Pictures](#)

[Swing Flaps](#)

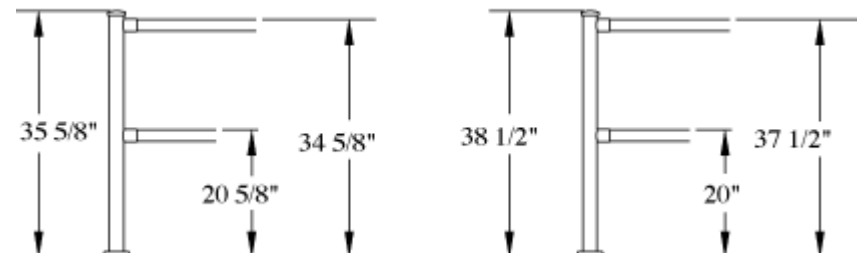
Product	Part No.
6" x 6" x 4" Buggy Bracket	TB2-BB
2" x 6" x 4" Buggy Bracket	TB3-BB
Buggy Tube End Plug	TB2-EP
6" Buggy Tube Sleeve	TB2-SL

2" Square Buggy Guard Tube Lengths	Part No.
2'	TB2-BB
3'	TB3-BB
4'	TB4-BB
5'	TB5-BB
6'	TB6-BB
7'	TB7-BB
8'	TB8-BB
9'	TB9-BB
10'	TB10-BB



"A" STANDARD

"B" STANDARD



5670 Timberlea Blvd
Mississauga, ON
Canada L4W 4M6

Tel: 1 877 427-2726
Fax: 1 866 792-2724

www.brascon.com

Buggy Corrals:

[Buggy Corrals](#)

[Pictures](#)

[Swing Flaps](#)



5670 Timberlea Blvd
Mississauga, ON
Canada L4W 4M6

Tel: 1 877 427-2726
Fax: 1 866 792-2724

www.brascon.com

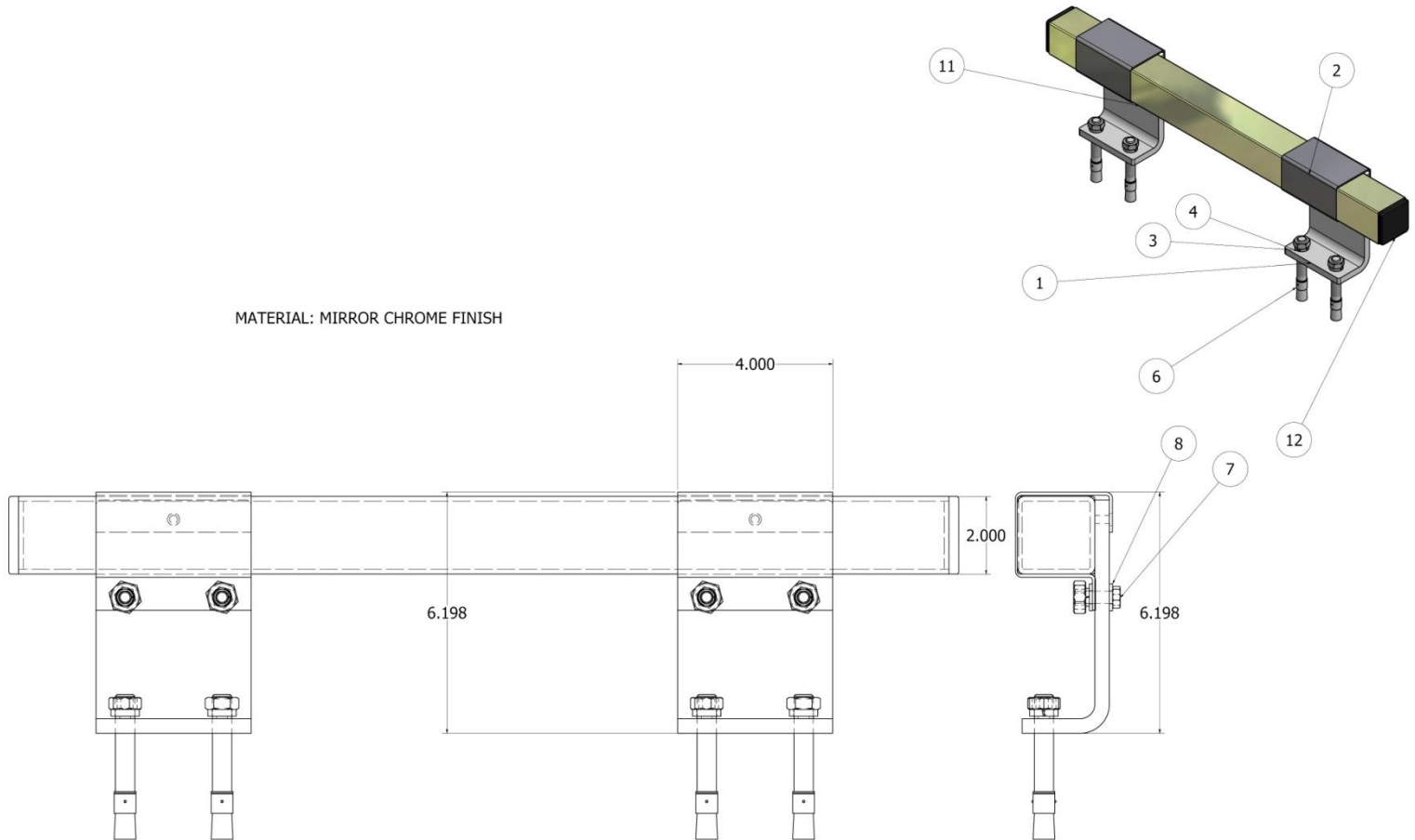
Buggy Rail Brackets:

[Buggy Corrals](#)

[Pictures](#)

[Swing Flaps](#)

MATERIAL: MIRROR CHROME FINISH



5670 Timberlea Blvd
Mississauga, ON
Canada L4W 4M6

Tel: 1 877 427-2726
Fax: 1 866 792-2724

www.brascon.com

[Buggy Corrals](#)

[Pictures](#)

[Swing Flaps](#)

Swing Flaps:

- Used to control one way travel of shopping carts through a railing system. A series of swing flaps mounted to a high rail will provide an economical solution to most storage problems. The mounting bracket is chromed steel and the swing flap is high impact resistant plastic.
- Unit measures 4" wide by 18 ½" high. Each sold separately.

Product	Part No.
Swing Flap	TB2SF
Double Line High Post	TP2HDLE



5670 Timberlea Blvd
Mississauga, ON
Canada L4W 4M6

Tel: 1 877 427-2726
Fax: 1 866 792-2724

www.brascon.com